

# Bear Valley Electric Service

P.O. BOX 1547 42020 GARSTIN DR BIG BEAR LAKE, CA. 92315  
A Division of Golden State Water Company

Telephone (909) 866-4678

Engineering: Ext. #142

Service Connection & Scheduling: Ext. #161

## Minimum Requirements - Permanent Underground Service (Pedestal)

- A.) A **"Preliminary Service Request"** is mandatory on all new service hook-ups. A BVES Engineering Representative must pre-approve all meter locations and grounding contingent upon plot plans and field meets.
- B.) Meter shall be located on an exterior wall, facing, or at an angle to the utility pedestal. Not to exceed 3' from the nearest corner, location is subject to approval by a BVES Representative. Always contact BVES to arrange for a meter spot.
- C.) All facilities including trenching, conduits, and meter equipment, are to be installed by the customer or their contractor. BVES will supply the conductor, meter, and make the electrical connection of the conductor.
- D.) **All trenches must be inspected by a BVES Representative prior to being back-filled.**
- E.) Permits must be obtained from the following agencies, depending on service location:

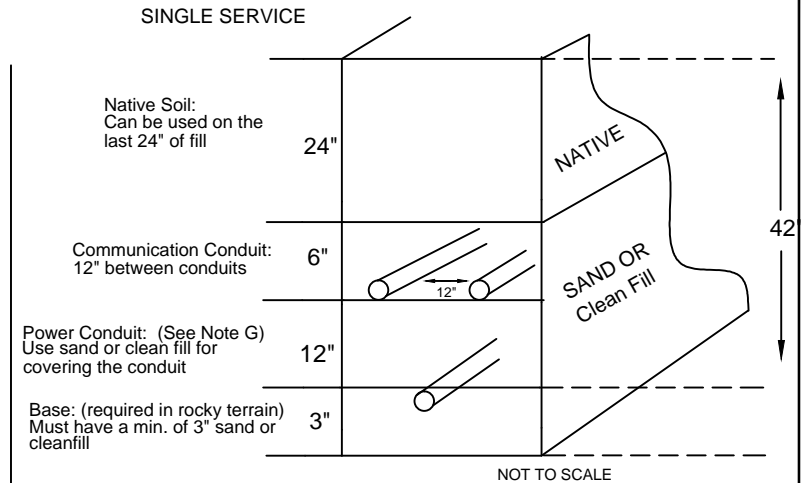
City of Big Bear Lake  
39707 Big Bear Blvd  
Big Bear Lake, CA 92315  
(909) 866-5831

or: County of San Bernardino  
477 Summit Blvd.  
Big Bear Lake, CA 92315  
(909) 866-0170

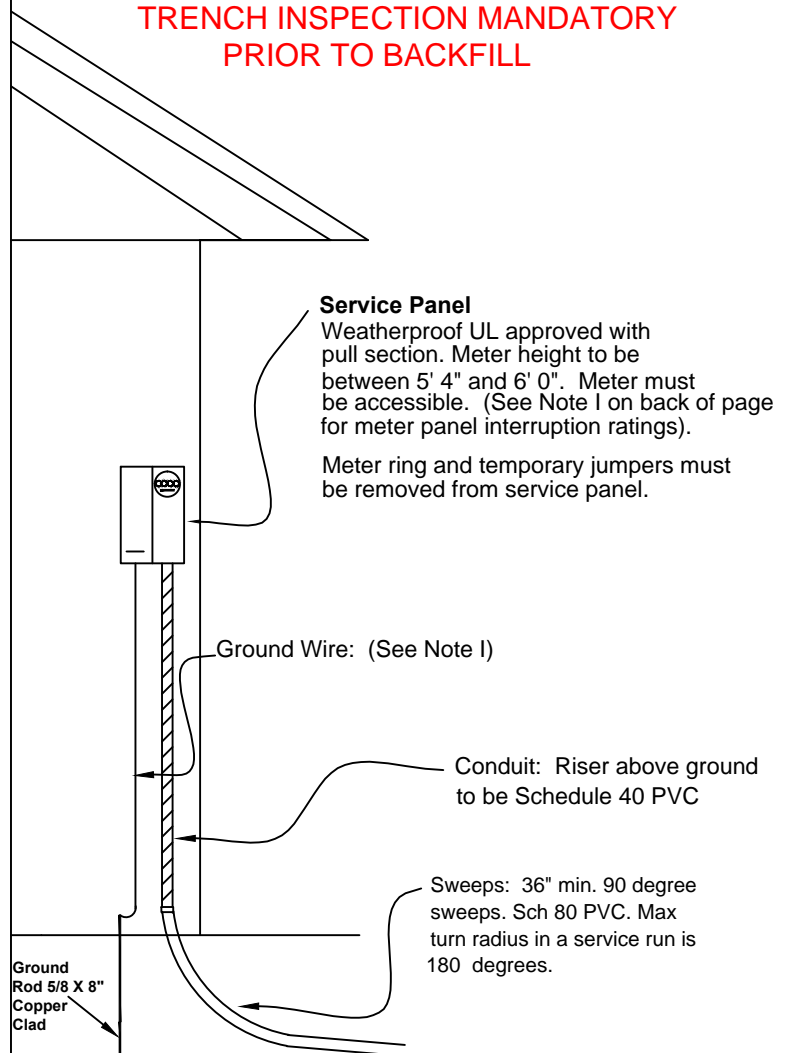
It is the customer's responsibility to notify or supply BVES with a "Green Tag" or "Inspection Notification" before service can be connected. Time frames are contingent upon current work loads.

- F.) BVES allows a common trench to be used in a permanent URD service. Only phone and cable TV are allowed in the trench.
- G.) Conduit Requirements:
- 1.) 2" PVC schedule 40 min. up to 100' in length for 100 amp service.
  - 2.) 3" PVC schedule 40 min. up to 100' length for 200 amp service.
  - 3.) For meter distances greater than 100' contact a BVES Representative. There will be an additional cost to any service over 100'.
  - 4.) All service sweeps are to be 36" radius schedule 80. Not to exceed 2 sweeps per service without approval from BVES Engineering.
  - 5.) Any service panel over 200 amp requires a review by BVES Representative.
  - 6.) Min. of 3/8" nylon pull rope to be installed by builder into all conduits.
  - 7.) Conduit will be one continuous run from meter panel pull section to the point of attachment to the BVES system. NO EXCEPTIONS.
- H.) All trench back-fill must be free of any large rocks with a max diameter of 1/2" or less.
- I.) BVES Grounding Requirements: BVES requires, in addition to NEC, a separate grounding conductor and ground rod. Grounding conductor is to be:  
100 Amp - #6 Copper (shielded)  
200 Amp - #4 Copper (shielded)

NOTE: See back of page for additional details



**TRENCH INSPECTION MANDATORY  
PRIOR TO BACKFILL**



UPDATED: 12-4-09